

FireMaster[®] DryerWrap

Product Data Sheet



1. Product Description

FireMaster DryerWrap is designed for application on dryer vent ductwork in multi-unit housing where fire compartmentalization and life safety are major concerns.

FireMaster DryerWrap is tested and UL Listed for 1-hour fire resistance on light gauge construction up to 7 in. diameter or 10 in. x 4 in. rectangular duct penetrating 1-hour rated wood joist gypsum floor, therefore providing Owners, Architects, and Engineers a viable and cost effective solution for safely routing dryer exhausts from the laundry room to the exit of the building.

DryerWrap is 67% thinner, lighter, and appreciably more flexible than grease duct fire wraps. The optimized thickness and approved 1in. compression or overlap joints provide for significant installation cost and space savings.

Product Features

- 1/2 in. thick, 8 pcf density
- High temperature insulation rated: 2100°F continuous exposure
- Underwriters Laboratory tested and Listed per ISO6944 and ASTM E814 (UL1479)
- Fully Encapsulated in scrim reinforced foil facing
- 1 in. compression or overlap at joints allows for installation inside, 5 in. space for typical 4 in. round duct
- Installation using 16 gage galvanized steel tie-wire
- Tested on 30 gauge 7 in. round and 26 gage, 10 in. x 4 in. rectangular duct, typical of dryer and domestic kitchen range vent construction

Product Benefits

- Optimized installation cost
- Optimized installation space
- Easily cut
- More flexible than alternative wraps
- Improved safety with application specific testing

2. Physical Characteristics

Length x Width, in (mm)	300 x 16, 300 x 26, 300 x 32 (750 x 400, 750 x 660, 750 x 800)
Thickness, in (mm)	1/2 (13)
Density, pcf (kg/m ³)	8 (128)
Encapsulation scrim material	Reinforced foil (FSP)
Packaging	1 roll/carton
Blanket Weight lbs (kg) / Roll width, in (mm)	11 (5) / 16 (400), 22 (10) / 32 (800)

3. Performance Specification

ISO6944	1-hour rating
ASTM E814 (UL1479)	1-hour, T-rating
ASTM E814 (UL1479)	1-hour, F-rating
ASTM E814 - Flame Spread	<25
ASTM E814—Smoke Developed	<50
ASTM E136	Pass
ASTM C518, R-Value @ 70°F	2.4
ASTM D6329, Mold @ 75 R.H.	Resistant

4. Codes Compliance and Laboratory Listings

2009 IBC Sections 716.6.2, 708, and 703

2009 IMC Section 504.2 and 604

UL Listing F-C-7055 and F-C-7059 for 1-Hour F-and T-Rating

UL Listing HNLJ.V-29 for 1-Hour Ventilation Duct Rating

ULC Listing FRD 28 for 1-Hour Ventilation Duct Rating

5. Installation

Materials and Equipment

- FireMaster DryerWrap
- 3 in. (75mm) adhesive backed aluminum foil tape
- Serrated knife recommend
- 16 Gage galvanized steel tie-wire
- Wire cutters



FireMaster® DryerWrap

Product Data Sheet

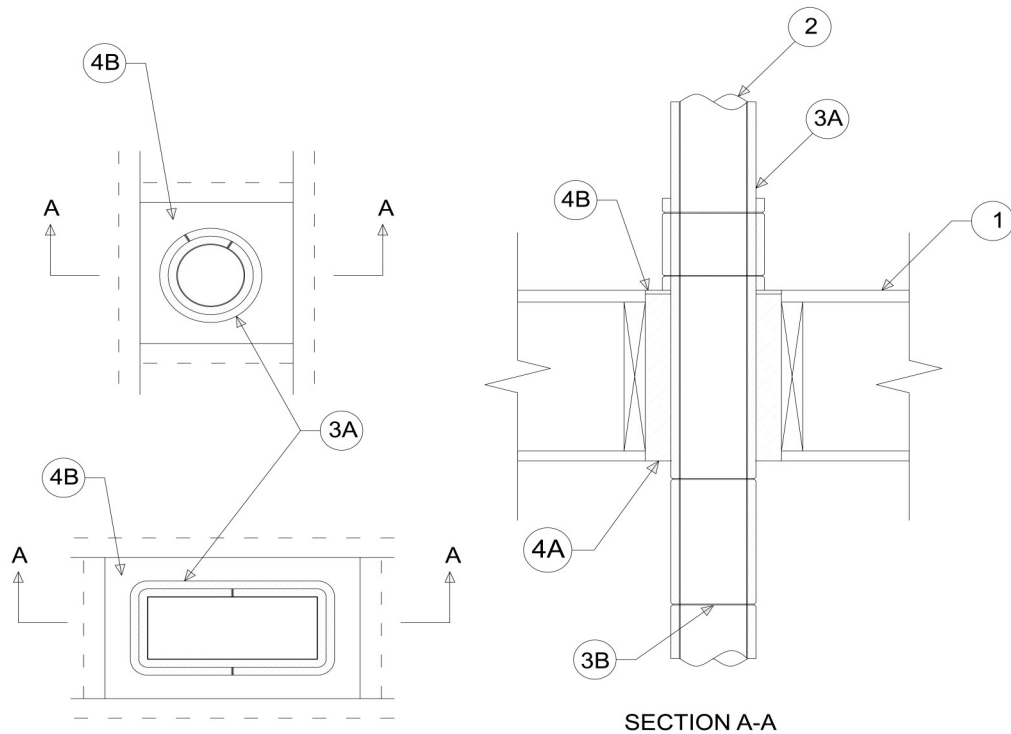


Installation instructions: Cut insulation to the length of the duct to be wrapped, and tape seal cut edges using 3 in. (75mm) foil tape. For 4 in. (100mm) dryer ducts the as supplied 16 in. (400mm) width will be sufficient to provide for either a 1 in. (25mm) compression or 1 in. (25mm) overlap on the longitudinal joint.

Ducts larger than 4 in. (100mm) diameter can be wrapped using 26in (660mm) or 32 in. (800mm) wide DryerWrap utilizing a continuous wrap of duct lengths up to 25 ft (7m) and minimum 1 in. (25mm) overlap around the circumference of the duct, or cut to length sufficient to wrap around duct with a joint every 32 in. (800mm). This long joint may be tape sealed utilizing 3 in. (75mm) foil tape at the contractor's discretion. Adjacent blankets are installed with either a minimum 1 in. (25mm) compression or 1 in. (25mm) overlap at the joint between blankets.

Utilizing minimum 16 gauge tie-wire, cut wire to sufficient length to wrap the insulated duct and make a small loop in one end. Wrap the tie-wire around the insulated duct on maximum 12 in. (300mm) centers. Where the insulated duct passes through 1-hour rated floor/ceiling assemblies, the penetration should be framed out and the annular space packed with scrap FireMaster insulation recessed minimum 1/4 in. (6mm) from top surface. The recesses space shall be filled with a UL Listed firestop sealant per F-C-7055. Where the duct penetrates a membrane only, the maximum annular space and fill material shall be per F-C-7059.

DRYERWRAP FOR 1-HOUR ENCLOSURE OF DRYER VENTS



LEGEND	
1	1-Hour UL Listed Floor/Ceiling Assembly
2	Maximum 7" Diameter, 30 Gage or Maximum 10x4" rect, 26 Gage Duct
3A	FireMaster DryerWrap with 1" longitudinal and transverse compression or overlap joints. Through Penetrations require a 12" long collar above the penetration.
3B	Minimum 16 Gage galvanized steel tie-wire installed on maximum 12" centers
4A	FireMaster blanket (For Through Penetrations) packed into annular space (25% min. compression)
4B	Firestop sealant per F-C-7055 or F-C-7059 (FireMaster Putty or approved alternative)

The integrity of Firemaster duct systems is limited to the quality of the installation.

UL Listings HNLJ.V-29
 ULC Listings FRD 28
 UL Listings F-C-7055
 UL Listings F-C-7059

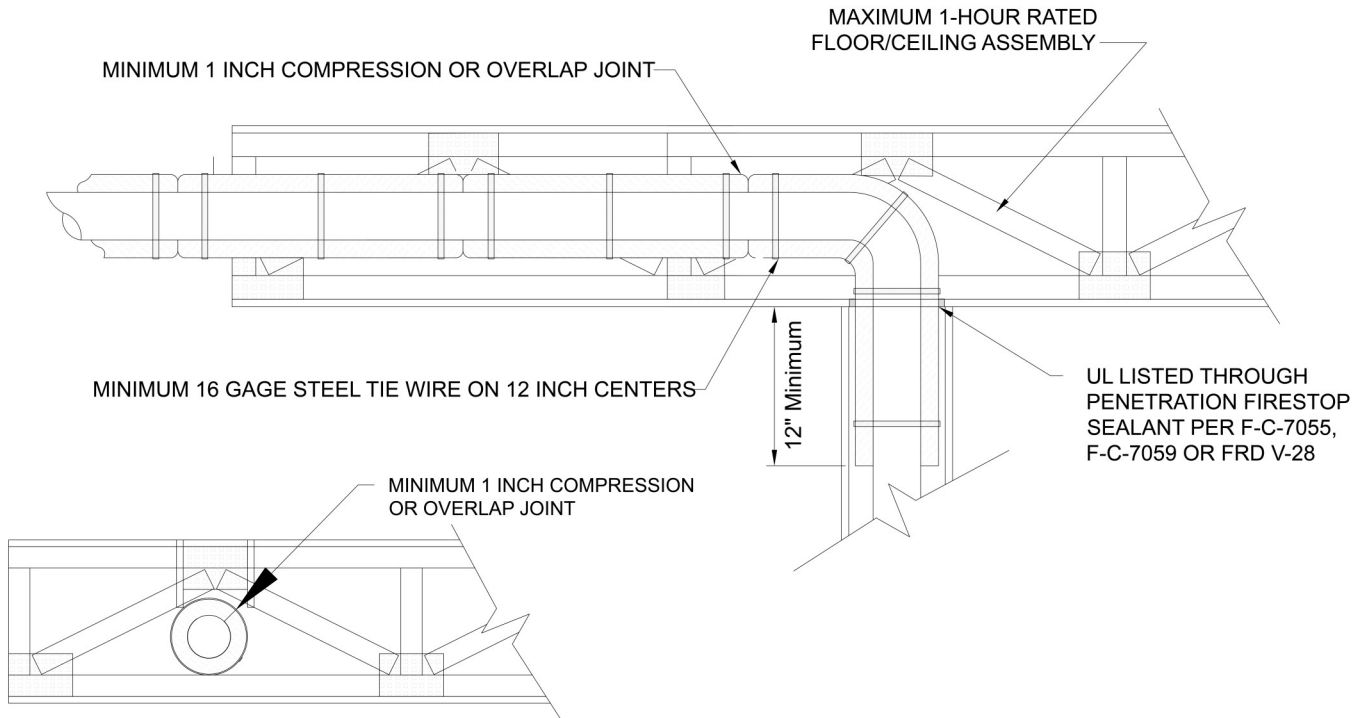
Whilst the values and application information in this datasheet are typical, they are given for guidance only. The values and the information given are subject to normal manufacturing variation and may be subject to change without notice. Morgan Advanced Materials – Thermal Ceramics makes no guarantees and gives no warranties about the suitability of a product and you should seek advice to confirm the product's suitability for use with Morgan Advanced Materials - Thermal Ceramics.

FireMaster® DryerWrap

Product Data Sheet



1-HR F AND T-RATING



Whilst the values and application information in this datasheet are typical, they are given for guidance only. The values and the information given are subject to normal manufacturing variation and may be subject to change without notice. Morgan Advanced Materials – Thermal Ceramics makes no guarantees and gives no warranties about the suitability of a product and you should seek advice to confirm the product's suitability for use with Morgan Advanced Materials - Thermal Ceramics.